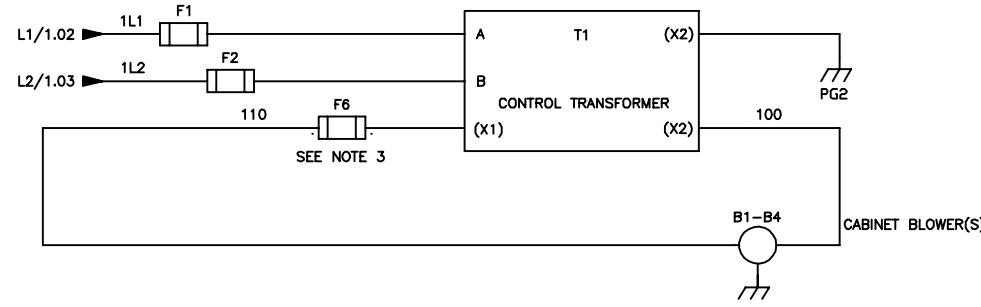


CONTROL TRANSFORMER PRIMARY CONNECTIONS			
INPUT VOLTS	TERMINALS		JUMPER LOCATION
	A	B	
460/480	(H1)	(H4)	(H2) TO (H3)



- NOTES:
- CONNECTED TO THE CABINET. CUSTOMER TO CONNECT THE CABINET GROUND LUG TO EARTH GROUND.
 - WITHOUT THE INPUT CIRCUIT BREAKER OPTION PC BRANCH CIRCUIT PROTECTION MUST BE SUPPLIED BY THE INSTALLER.
 - WITH A CONTROL TRANSFORMER, T1, POWER RATING 350VA OR GREATER, SECONDARY FUSE F6 IS ADDED.
 - CONDUIT FITTINGS/HUBS SHALL COMPLY WITH THE 'STANDARD FOR CONDUIT, TUBING, AND CABLE FITTINGS, UL 514B'. OR CONDUIT FITTINGS HAVING THE SAME ENVIRONMENTAL RATING AS THE ENCLOSURE SHALL BE USED.
 - TERMINALS p1 AND n1 ARE FOR MOMENTARY POWER LOSS RECOVERY UNIT. DO NOT CONNECT TO AC POWER SUPPLY.

DRY CONTACTS FOR CUSTOMER USE.
 RATED:
 1A, 250VAC
 1A, 30VDC
 CUSTOMER MUST PROVIDE PROPER SHORT CIRCUIT PROTECTION AND MEANS OF DISCONNECT.

* INDICATES COMPONENTS NOT SUPPLIED BY YASKAWA.
 — INDICATES CUSTOMER WIRING.
 SEE DRAWING UDE00768 FOR DRIVE PARAMETERS.
 SEE DRAWING UDE00483 FOR CUSTOMER CONNECTION TABLES.

REVISIONS				
REV.	DESCRIPTION	ECO #	DRAWN BY	DATE
01	CHANGED PM OPTION TO PC	12906	KL	2/22/23
00	INITIAL RELEASE	-	KL	12/20/22

YASKAWA

DRAWN BY: K.LEIN	DATE: 12/20/22	TITLE: SCHEMATIC DIAGRAM U1000 CONFIGURED TYPE 12
CHECKED BY: R.JENSEN	DATE: 12/21/22	SIZE: D
APPROVED BY: K.F.LIERL	DATE: 12/21/22	REVISION: 01
ORIGINAL DESIGNER: K.LEIN	DATE: 12/20/22	PAGE: 1 of 1

DRAWING #:
DS.U1E2.01